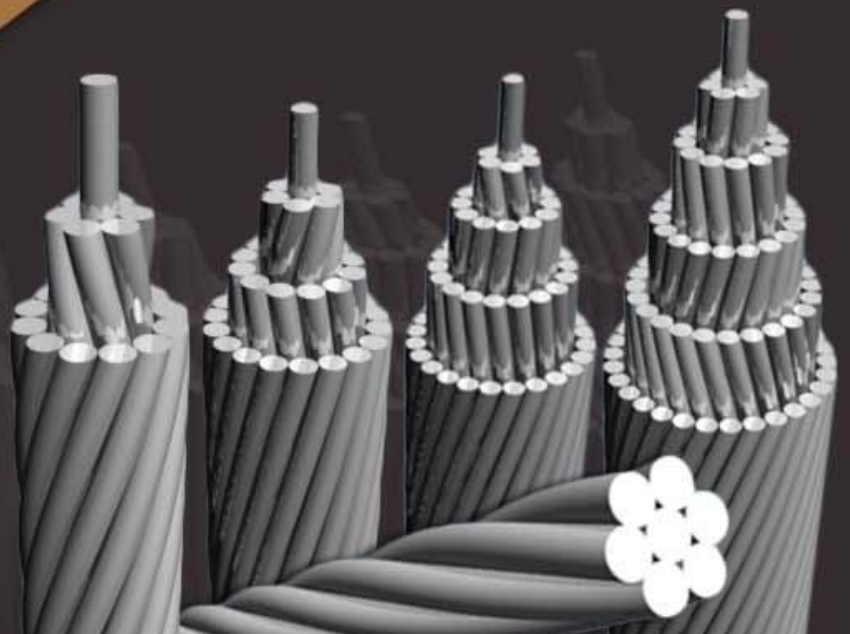




**HENAN PROVINCE  
XINCHANG  
COPPER CO., LTD.**



**OVERHEAD  
CABLE**





- Introduction: ..... 3
- CONDUCTOR FOR OVERHEAD LINES HARD DRAWN COPPER CONDUCTOR(HDBC)..... 6
- CONDUCTORS FOR OVERHEAD LINES PVC COVERD STRANDED HARD –DRAWN COPPER CONDUCTORS(HDBC/PVC) ..... 7
- CONDUCTORS FOR OVERHEAD LINES ALL ALUMINIUM CONDUCTORS(AAC) ..... 8
- CONDUCTORS FOR OVERHEAD LINES ALL ALUMINIUM CONDUCTORS (AAC)..... 9
- CONDUCTORS FOR OVERHEAD LINES ALL ALUMINIUM CONDUCTORS(AAC) ..... 10
- CONDUCTORS FOR OVERHEAD LINES ALL ALUMINIUM CONDUCTORS(AAC)..... 11
- CONDUCTOR FOR OVERHAED LINES ALL ALUMINIUM CONDUCTORS (AAC) ..... 12
- CONDUCTORS FOR OVERHEAD LINES ALUMINIUM CONDUCTOR STEEL REINFORCED(ACSR)..... 13
- CONDUCTORS FOR OVERHEAD LINES ALUMINIUM CONDUCTORS STEEL REINFORCED(ACSR)..... 14
- CONDUCTOR FOR OVERHEAD LINES ALUMINIUM CONDUCTOR STEEL REINFORCED(ACSR) ..... 15
- CONDUCTOR FOR OVERHEAD LINES ALUMINIUM CONDUCTOR STEEL REINFORCED (ACSR) ..... 16
- CONDUCTOR FOR OVERHEAD LINES ALUMINIUM CONDUCTOR STEEL RENFORCED (ASCR) ..... 17
- CONDUCTORS FOR OVERHEAD LINES ALUMINIUM CONDUCTOR STEEL REINFORCED(ACSR)..... 18
- MODULUS OF ELASTICITY AND COEFFICIENT OF LINER EXPANSION TABLE ..... 20
- CONDUCTORS FOR OVERHEAD LINES ALL ALUMINIUM ALLOY CONCUTORS (AAAC)..... 22
- CONDUCTORS FOR EARTHING PURPOSES SOFT DRAWN BARE COPPER CONDUCTORS (SDBC) ..... 23
- DRUM SIZES AND DIMENSIONS ..... 24
- Welcome enquiry to HNXC ..... 25



## ■ Introduction:

■ Henan Province Xinchang Copper Co.,Ltd is situated in the capital of Henan province, in Industrial Park, Gongyi. Henan Province Xinchang Copper Co.,Ltd is the earliest private enterprise in Henan(China) cable business. Our cables are manufactured using the most up-to-date technology. Modern production facilities are backed by a highly qualified work force and experienced engineers, who ensure that only cable of the highest quality leaves our factories.

Henan Xinchang Import and Export Trade Co., Ltd, and Shanghai Kaiseder International Trading Co., Ltd. are our wholly-own subsidiaries in charge of our import and export.

Through them we have exported to North America, South America, Caribbean countries, Southeast Asia, Middle East, and Africa.

- **Our customers will receive superior value;**
- **Our shareholders will receive ever exceeding returns on their investments;**
- **Our business partners will share our success;**
- **Our employees will prosper.**

Our product range includes general building wires, data and telecommunications cables, industrial rubber cables, overhead conductors together with power cables up to, and including, 35KV.

We constantly get updates and feedbacks on their stated / implied needs and problems. Based on this information we have devised new modalities to provide better service to our valued customers. Thus we not only provide Quality Products but also offer a host of related services before and after the sale.

Cables are manufactured strictly in accordance with the appropriate GB (China) Standard Specifications and to IEC, CE and UL standards and are approved by the relevant Classifications Institutions. Full traceability is maintained by strict adherence to quality policies compliant with ISO9001/2, whilst environmental policies will be maintained by compliance with ISO14001 in no time.

## ■ **Products:**

Medium Voltage Power Cables up to 19/33(36) KV

Low Voltage Power Cables up to 600/1000V

Control Cables 600/1000V

Bare Conductors for Overhead Lines

Earthing Conductors

PVC or XLPE Insulated Conductors

Domestic Applications / Internal Wiring

LSFH Cables & Wires

Enamelled Wires

Telephone, communication & Instrumentation Cables



## ■ Quality:

Quality has always been our top priority and to meet customer's expectation has been our prime objective; the very basis on which we earned the confidence of our client. It is this concern and commitment rather than just sell of product has given us a distinct image and competitive advantage.

**ISO9001:2008**

**ISO 14001:2004**

**OHSAS18001:2007**

**BASEC RANGE OF CERTIFICATES**

We at HNXC always aim for the best. While most of the Cable manufacturers in China, We stand out with ISO 9001 which recognizes our ability for Design & Development as well.

As a philosophy our commitment to Customers does not end with a sale. We also offer a host of related services before and after the sale. These include,

- Application engineering service for selection of appropriate product best suiting the end use.
- An extensive range of cables single core wires flexible cords bare & insulated conductors manufactured to stringent Quality standards going beyond international specifications.
- Design and Development of products tailored to meet specific requirements of the application.
- To help the customers understand the product intricacies and its performance levels.

## NOTE 1:

THE TABULATIONS ON SUBSEQUENT PAGES FURNISH OVERALL DIMENSIONS, NET & GROSS WEIGHTS AND DRUM DIMENSIONS. PLEASE NOTE THAT THESE ARE "APPROXIMATE" VALUES. THEY HAVE BEEN FURNISHED FOR GENERAL GUIDELINES AND INTENDED TO BE USED FOR THUMB RULE ESTIMATIONS / FREIGHT CALCULATIONS.

## NOTE 2:

THE FOLLOWING LIST TABULATES ONLY THE "STANDARD" PRODUCTS. FOR ANY PRODUCT NOT LISTED BELOW, PLEASE DO NOT HESITATE TO CONTACT OUR SALES & MARKETING DIVISION. WE SHALL BE TOO PLEASED TO MEET YOUR SPECIFIC REQUIREMENTS.



## PRODUCT STANDARD

### BARE CONDUCTORS FOR OVERHEAD LINES

- All Aluminium conductors AAC BS 215 Part 1/ ASTM / CSA / DIN
- Aluminium conductors steel reinforced ACSR BS 215 Part 2 / ASTM / CSA / DIN
- All Aluminium Alloy conductors AAAC BS EN 50182/ IEC 1089
- Hard drawn bare copper conductors HDBC BS 7884

### EARTHING CONDUCTORS

- Bare copper conductors SDBC BS 6360 / BS EN 60228 / IEC 60228

### PVC or XLPE INSULATED CONDUCTORS

- PVC or XLPE insulated conductors for earthing BS6485/ Customer Standards  
or over head lines



## CONDUCTOR FOR OVERHEAD LINES HARD DRAWN COPPER CONDUCTOR(HDBC)

Nominal Area	Number of Wires in Conductor	Nominal Dia of Wires in Conductor	Approx Conductor Diameter	Conductor Resistance at 20°C (Max.)	Nominal Weight	Maximum Weight	Breaking Load (Min)	Standard Packing Length	Drum Size	Approx. Gross Wight
Sqmm	No	mm	mm	Ohm/Km	Kg/Km	Kg/Km	N	Metre ± 10%		KG
10	7	1.35	4.05	1.829	89.82	91.62	3752	2000	D-6	230
14	7	1.60	4.80	1.303	126.2	128.7	5267	2000	D-6	305
16	3	2.65	5.70	1.106	148.3	151.3	6194	2000	D-7	350
16	7	1.70	5.10	1.154	142.4	145.2	5946	2000	D-7	340
25	7	2.10	6.30	0.7563	217.3	221.6	9073	2000	D-8	495
32	3	3.75	8.06	0.552	296.9	302.8	12400	1000	D-7	350
32	7	2.46	7.38	0.5497	298.2	304.2	12442	1000	D-7	350
35	7	2.5	7.50	0.5337	308	314.2	12860	1000	D-7	360
50	7	3.00	9.00	0.3706	443.5	452.4	18520	1000	D-7	500
50	19	1.80	9.00	0.3819	435.8	444.5	17700	1000	D-7	490
70	7	3.55	10.65	0.2646	621.1	633.5	25930	1000	D-8	685
70	19	2.10	10.5	0.2806	593.2	605.1	24090	1000	D-8	660
95	19	2.50	12.5	0.198	840.7	857.5	34140	1000	D-11	960
100	7	4.30	12.9	0.181	911.2	929.4	36540	1000	D-11	1030
120	19	2.80	14.00	0.1578	1055	1076	42830	1000	D-12	1190
150	19	3.20	16.00	0.1208	1377	1405	55940	1000	D-12	1515
150	37	2.25	15.75	0.1264	1334	1361	53880	1000	D-12	1475
185	19	3.55	17.75	0.09815	1695	1729	68860	1000	D-14	1880
185	37	2.5	17.5	0.1024	1647	1680	66490	1000	D-14	1830

Conductors conform to BS 7884-1997



## CONDUCTORS FOR OVERHEAD LINES PVC COVERD STRANDED HARD –DRAWN COPPER CONDUCTORS (HDBC/PVC)

Nominal Area	Number of Wires	Nominal Dia of Wires in Conductor	Approx Conductor Diameter	Conductor Resistance at 20°C (Max.)	Breaking Load (Min)	Min. Thickness of Covering		Approx. Overall Diameter of Covering Conductor		Approx Weight of Covering Conductor		Standard Packing Length	Drum Size	Approximate Gross Weight	
						Type 8	Type 16	Type 8	Type 16	Type 8	Type 16			Type 8	Type 16
Sqmm	No	mm	mm	Ohm/Km	N	mm		mm		Kg/Km		Metre ±10%		KG	
14	7	1.60	4.80	1.303	5744	0.8	1.6	6.8	8.4	150	175	2000	D-11	400	450
16	3	2.65	5.69	1.106	6590	0.8	1.6	7.7	9.3	170	200	2000	D-12	450	510
32	3	3.75	8.05	0.552	12710	0.8	1.6	10.5	12.1	325	365	1000	D-9	390	430
35	7	2.50	7.50	0.5337	14097	0.8	1.6	9.9	11.5	345	385	1000	D-9	405	450
70	7	3.55	10.65	0.2646	26880	0.8	1.6	13.5	14.7	675	720	1000	D-10	740	780
100	7	4.30	12.90	0.181	37640	0.8	1.6	15.7	16.9	950	1005	1000	D-12	1060	1120

All conductors circular stranded.

Colour of covering shall be black for Type 8 and Green for Type 16.

Conductors conform to BS 6485-1999.



## CONDUCTORS FOR OVERHEAD LINES ALL ALUMINIUM CONDUCTORS (AAC)

CODE	Nominal Aluminum Area	Stranding: No. and Nominal Diameter of Wires	Approx. Overall Diameter	Calculated D.C Resistance at 20°C (Max.)	Approx. Weight of Conductor	Breaking Load	Standard Packing Length	Drum Size	Approx. Gross Wight
	Sqmm	No./mm	mm	Ohm/Km	Kg/Km	KN	Metre ± 10%		KG
MIDGE	22	7/2.06	6.18	1.227	64	3.99	2000	D-7	175
ANT	50	7/3.10	9.30	0.5419	145	8.28	2000	D-9	350
FLY	60	7/3.40	10.20	0.4505	174	9.90	2000	D-9	410
WASP	100	7/4.39	13.17	0.2702	290	16.00	2000	D-11	680
HORNET	150	19/3.25	16.25	0.1825	434	25.7	2000	D-14	1020
CHAFER	200	19/3.78	18.9	0.1349	587	32.4	2000	D-16	1380
COCKROACH	250	19/4.22	21.1	0.1083	731	40.4	2000	D-18	1700
BUTTERFLY	300	19/4.65	23.25	0.08916	888	48.75	2000	D-18	2020
CENTIPEDE	400	37/3.78	26.46	0.06 4	1145	63.1	2000	D-19	2610

AAC conform to BS 215(Part 1)1970.





## CONDUCTORS FOR OVERHEAD LINES ALL ALUMINIUM CONDUCTORS (AAC)

CODE	Nominal Aluminum Area	Stranding: No. and Nominal Diameter of Wires	Approx. Overall Diameter	Calculated D.C Resistance at 20°C (Max.)	Approx. Weight of Conductor	Breaking Load	Standard Packing Length	Drum Size	Approx. Gross Weight
	Sqmm	No./mm	mm	Ohm/Km	Kg/Km	KN	Metre ± 10%		KG
APHIS	26.4	3/3.35	7.2	1.081	73	4.11	2000	D-7	190
GNAT	26.8	7/2.21	6.6	1.068	73	4.59	2000	D-7	195
WEEVIL	31.6	3/3.66	7.9	0.9082	86	4.87	2000	D-8	225
MOSQUITO	37	7/2.59	7.8	0.7731	101	6.05	2000	D-8	255
LADYBIRD	42.8	7/2.79	8.4	0.6694	117	6.88	2000	D-9	295
BLUE BOTTLE	73.7	7/3.66	11.0	0.3884	202	11.34	2000	D-10	465
EARWIG	78.5	7/3.78	11.4	0.3645	215	11.95	2000	D-11	530
GRASSHOPPER	84.1	7/3.91	11.7	0.3405	230	12.78	2000	D-11	560
CLEGG	95.6	7/4.17	12.5	0.2994	262	14.54	2000	D-11	625
BEETLE	106.6	19/2.67	13.4	0.2699	293	17.42	2000	D-12	700
CATERPILLER	186	19/3.53	17.7	0.1547	512	28.65	2000	D-14	1170
SPIDER	236.9	19/3.99	20.0	0.1214	652	36.02	2000	D-16	1510
DRONE	373.3	37/3.58	25.1	0.07723	1029	57.47	2000	D-18	2300
MAYBUG	486.9	37/4.09	28.6	0.05921	1342	74.04	2000	D-19	3000
SCORPION	529.5	37/4.27	29.9	0.05445	1460	80	2000	D-21	3340

AAC conform to BS 215(Part 1) 1970.



# CONDUCTORS FOR OVERHEAD LINES ALL ALUMINIUM CONDUCTORS (AAC)

CODE	Nominal Aluminum Area	Stranding: No. and Nominal Diameter of Wires	Approx. Overall Diameter	Calculated D.C Resistance at 20°C (Max.)	Approx. Weight of Conductor	Breaking Load	Standard Packing Length	Drum Size	Approx. Gross Wight
	Sqmm	No./mm	mm	Ohm/Km	Kg/Km	KN	Metre ± 10%		KG
PEACHBELL	13.29	7/1.55	4.7	2.1690	37	2.35	2000	D-6	115
ROSE	21.16	7/1.96	5.9	1.3620	58	3.68	2000	D-7	160
IRIS	33.61	7/2.47	7.4	0.8574	93	5.63	2000	D-8	240
PANSY	42.39	7/2.78	8.3	0.6801	117	6.84	2000	D-8	285
POPPY	53.48	7/3.12	9.4	0.5390	147	8.3	2000	D-10	355
ASTER	67.42	7/3.50	10.5	0.4276	186	10.46	2000	D-10	435
PHLOX	85.03	7/3.93	11.8	0.3390	234	12.66	2000	D-11	570
VALERIAN	126.7	19/2.91	14.6	0.2275	349	20.05	2000	D-12	810
LAUREL	135.2	19/3.01	15.1	0.2133	373	21.4	2000	D-12	860
PEONY	152	19/3.19	16.0	0.1896	419	23.58	2000	D-14	990
TULIP	170.5	19/3.38	16.9	0.1692	470	26.46	2000	D-14	1090
DAFFODIL	177.4	19/3.45	17.2	0.1625	489	27.52	2000	D-14	1130
CANNA	201	19/3.67	18.4	0.1432	556	30.64	2000	D-16	1320
GOLDENTUFT	228	19/3.91	19.6	0.1264	628	33.96	2000	D-16	1470
SYRINGA	242	37/2.88	20.2	0.1193	666	38.26	2000	D-16	1540
COSMOS	67.42	19/4.02	10.5	0.4276	186	10.46	2000	D-10	435
HYACINTH	253	37/2.95	20.7	0.1137	698	40.1	2000	D-16	1610
ZINNIA	253	19/4.12	20.6	0.1137	698	37.74	2000	D-16	1610
DAHLIA	282	19/4.35	21.7	0.1023	777	42	2000	D-18	1790
MISTLETOE	282	37/3.11	21.8	0.1023	777	43.76	2000	D-18	1790
MEADOWSWEET	304	37/3.23	22.6	0.0948	838	47.18	2000	D-18	1920
ORCHID	323	37/3.33	23.3	0.0893	888	50.01	2000	D-18	2020
HEUCHERA	329	37/3.37	23.6	0.0875	910	51.11	2000	D-18	2060
FLAG	355	61/2.72	24.5	0.0813	978	57.27	2000	D-18	2200
VERBENA	355	37/3.49	24.5	0.0813	978	55.04	2000	D-18	2200
NASTURTIUM	363	67/2.75	24.8	0.0795	1000	58.52	2000	D-18	2240
VIOLET	363	37/3.53	24.7	0.0795	1000	56.27	2000	D-18	2240

AAC conform to ASTM



## CONDUCTORS FOR OVERHEAD LINES ALL ALUMINIUM CONDUCTORS(AAC)

CODE	Nominal Aluminum Area	Stranding: No. and Nominal Diameter of Wires	Approx. Overall Diameter	Calculated D.C Resistance at 20°C(Max.)	Approx. Weight of Conductor	Breaking Load	Standard Packing Length	Drum Size	Approx. Gross Wight
	Sqmm	No./mm	mm	Ohm/Km	Kg/Km	KN	Metre ± 10%		KG
CATTAIL	380	61/2.82	25.3	0.0759	1048	57.79	2000	D-18	2340
LILAC	403	61/2.90	26.1	0.0715	1111	63.77	2000	D-19	2540
ARBUTUS	403	37/3.72	26.1	0.0715	1111	61.26	2000	D-19	2540
SNAPDRAGON	456	67/3.09	27.8	0.0632	1257	70.77	2000	D-19	2830
COCKSCOMB	456	37/3.96	27.7	0.0632	1257	67.94	2000	D-19	2830
GOLD ROD	483	61/3.18	28.6	0.0596	1333	75.02	2000	D-21	3090
MAGNOUA	483	37/4.08	28.6	0.0596	1333	72.02	2000	D-21	3090
CAMELUA	507	61/3.25	29.3	0.0569	1397	78.64	2000	D-21	3210
HAWKWEED	507	37/4.18	29.2	0.0569	1397	75.49	2000	D-21	3210
LARKSPUR	524	61/3.31	29.8	0.0550	1444	81.27	2000	D-21	3310
BLUEBELL	524	37/4.24	29.7	0.0550	1444	78.02	2000	D-21	3310
MARIGOLD	564	61/3.43	30.9	0.0511	1555	87.52	2000	D-21	3580
HAWTHORN	604	61/3.55	32.0	0.0477	1665	93.77	2000	D-22	3800
NARCISSUS	645	61/3.67	33.0	0.0467	1777	98.02	2000	D-23	4050
COLUMBINE	685	61/3.78	34.0	0.0421	1888	104.15	2000	D-23	4280
CARNATION	725	61/3.89	35.0	0.0398	1999	108.02	1000	D-19	2320
GLADIOLUS	766	61/4.00	36.0	0.0376	2110	114.02	1000	D-19	2430
COREOPSIS	806	61/4.10	37.0	0.0358	2222	120.03	1000	D-19	2550
JESSAMINE	887	61/4.30	38.7	0.0325	2445	132.1	1000	D-21	2870

AAC conform to ASTM B-231-81 Class AA&C49-1975



## CONDUCTOR FOR OVERHAED LINES ALL ALUMINIUM CONDUCTORS (AAC)

Conductor Area	Nominal Aluminum Area	Stranding: No. and Nominal Diameter of Wires	Approx. Overall Diameter	Calculated D.C Resistance at 20°C (Max.)	Approx. Weight of Conductor	Breaking Load	Standard Packing Length	Drum Size	Approx. Gross Wight
Sqmm	Sqmm	No./mm	mm	Ohm/Km	Kg/Km	KN	Metre ± 10%		KG
16	15.89	7/1.70	5.1	1.8017	44	2.84	2000	D-7	130
25	24.25	7/2.10	6.3	1.1806	67	4.17	2000	D-8	180
35	34.46	7/2.50	7.5	0.8332	94	5.74	2000	D-8	240
50	49.48	7/3.00	9.0	0.5786	135	7.95	2000	D-9	330
50	48.36	19/1.80	9.0	0.5948	133	8.44	2000	D-9	330
70	65.82	19/2.10	10.5	0.437	181	11.28	2000	D-10	425
95	93.27	19/2.50	12.5	0.3084	256	15.65	2000	D-12	625
120	117	19/2.80	14.0	0.2459	322	18.74	2000	D-12	755
150	147.1	37/2.25	15.7	0.196	406	25.21	2000	D-14	965
185	181.6	37/2.50	17.5	0.1558	501	30.46	2000	D-16	1210
240	242.5	61/2.25	20.2	0.1192	670	39.39	2000	D-18	1580
300	299.4	61/2.50	22.5	0.09651	827	47.58	2000	D-18	1890
400	400.1	61/2.89	26.0	0.07222	1105	60.72	2000	D-19	2530
500	499.8	61./3.23	29.1	0.05782	1381	74.56	2000	D-21	3180
625	626.2	91/2.96	32.6	0.04625	1733	95.06	2000	D-23	3970
800	802.1	91/3.35	36.8	0.03611	2219	118.26	1000	D-21	2640
1000	999.1	91/3.74	41.1	0.02897	2766	145.63	1000	D-21	3190

AAC-Conform to DIN 48201



## CONDUCTORS FOR OVERHEAD LINES ALUMINIUM CONDUCTOR STEEL REINFORCED (ACSR)

CODE	Nominal Aluminum Area	Stranding: No. and Nominal Diameter of Wires		Total Sectional Area	Approx. Overall Diameter	Calculated D.C Resistance at 20°C (Max.)	Approx. Weight of Conductor	Breaking Load	Standard Packing Length	Drum Size	Approx. Gross Weight
		Aluminium	Steel								
	Sqmm	No./mm		Sqmm	mm	Ohm/Km	Kg/Km	KN	Metre ± 10%		KG
GOPHER	25	6/2.36	1/2.36	30.62	7.08	1.093	106	9.61	3000	D-10	380
WEASEL	30	6/2.59	1/2.59	36.88	7.77	0.9077	128	11.45	3000	D-10	440
FERRET	40	6/3.00	1/3.00	49.48	9.00	0.6766	172	15.2	3000	D-10	580
RABBIT	50	6/3.35	1/3.35	61.7	10.05	0.5426	214	18.35	3000	D-12	750
HORSE	70	12/2.79	7/2.79	116.2	13.95	0.3936	538	61.2	3000	D-14	1770
DOG	100	6/4.72	7/1.57	118.5	14.15	0.2733	394	32.7	3000	D-16	1390
WOLF	150	30/2.59	7/2.59	194.9	18.13	0.1828	726	69.2	3000	D-18	2420
DINGO	150	18/3.35	1/3.35	167.5	16.75	0.1815	506	35.7	3000	D-16	1730
LYNX	175	30/2.79	7/2.79	226.2	19.53	0.1576	842	79.8	3000	D-18	2770
CARACAL	175	18/3.61	1/3.61	194.5	18.03	0.1563	587	41.1	3000	D-18	2000
PANTHER	200	30/3.00	7/3.00	261.5	21.00	0.1363	974	92.25	3000	D-18	3160
JAGUAR	200	18/3.86	1/3.86	222.3	19.30	0.1367	671	46.55	3000	D-18	2250
ZEBRA	400	54/3.18	7/3.18	484.5	28.62	0.0674	1621	131.9	2500	D-22	4530

Conductors conform to BS 215(Part 2)-1970



## CONDUCTORS FOR OVERHEAD LINES ALUMINIUM CONDUCTORS STEEL REINFORCED (ACSR)

CODE	Conductor Area		No.&Nominal Diameter of Wires		Approx. Overall Diameter	Calculated D.C Resistance at 20°C (Max.)	Approx. Weight of Conductor		Breaking Load	Standard Packing Length	Drum Size	Approx. Gross Weight
	Total	Aluminium	Aluminium	Steel			Aluminium	Total				
	Sqmm		No./mm		mm	Ohm/Km	Kg/Km		KN	Metre ± 10%		KG
MOLE	12.39	10.62	6/1.50	1/1.50	4.5	2.702	29	43	4.1	2000	D-6	130
SQUIRREL	24.43	20.94	6/2.11	1/2.11	6.33	1.370	58	85	7.9	2000	D-8	220
FOX	42.77	36.66	6/2.79	1/2.79	8.37	0.7827	101	149	13.2	2000	D-9	360
MINK	73.71	63.18	6/3.66	1/3.66	10.98	0.4541	173	255	21.8	2000	D-10	570
SKUNK	100.5	63.48	12/2.59	7/2.59	12.95	0.4565	175	465	53.1	2000	D-12	1040
BEAVER	87.82	74.82	6/3.99	1/3.99	11.97	0.3834	205	302	25.7	2000	D-11	705
RACCON	92.4	79.2	6/4.10	1/4.10	12.3	0.3623	217	320	27.2	2000	D-12	750
OTTER	97.86	83.88	6/4.22	1/4.22	12.66	0.3421	230	339	28.7	2000	D-12	790
HYENA	126.2	105.8	7/4.39	7/1.93	14.57	0.2712	290	450	40.9	2000	D-12	1010
COYOTE	152.2	132.1	26/2.54	7/1.91	15.89	0.2187	365	522	46.4	2000	D-14	1190
COUGAR	137.5	130.3	18/3.05	1/3.05	15.25	0.221	362	419	29.8	2000	D-14	990
TIGER	161.7	131.1	30/2.36	7/2.36	16.52	0.2204	362	602	58	2000	D-14	1350
LION	294.2	238.5	30/3.18	7/3.18	22.26	0.1212	659	1095	100.6	2000	D-18	2430
BEAR	325.6	264.0	30/3.35	7/3.35	23.45	0.1095	730	1213	111.1	2000	D-18	2670
GOAT	400.0	324.3	30/3.71	7/3.71	25.97	0.0891	896	1489	135.7	2000	D-19	3300
SHEEP	461.4	374.1	30/3.99	7/3.99	27.93	0.07724	1034	1718	155.9	2000	D-19	3760
ANTELOPE	421.5	373.1	54/2.97	7/2.97	26.73	0.07747	1032	1411	118.2	2000	D-19	3140
BISON	431.3	381.8	54/3.00	7/3.00	27	0.07571	1056	1444	120.9	2000	D-19	3210
DEER	529.5	429.3	30/4.27	7/4.27	29.89	0.06731	1186	1971	178.5	2000	D-21	4360
CAMEL	536.8	475.2	54/3.35	7/3.35	30.15	0.06083	1314	1797	145.7	2000	D-22	4060
MOOSE	597.2	528.7	54/3.53	7/3.53	31.77	0.05468	1462	1999	161.1	2000	D-22	4470

Conductors generally conform to BS 215(Part 2)1970



## CONDUCTOR FOR OVERHEAD LINES ALUMINIUM CONDUCTOR STEEL REINFORCED(ACSR)

CODE	Conductor Area		No.&Nominal Diameter of Wires		Approx. Overall Diameter	Calculated D.C Resistance at 20°C(Max.)	Approx. Weight of Conductor		Breaking Load	Standard Packing Length	Drum Size	Approx. Gross Wight
	Total	Aluminium	Aluminium	Steel			Aluminium	Total				
	Sqmm		No./mm		mm	Ohm/Km	Kg/Km		KN	Metre ±10%		KG
TURKEY	15.5	13.29	6/1.68	1/1.68	5.04	2.157	36	54	5.3	2000	D-6	150
THRUSH	19.54	16.77	6/1.89	1/1.89	5.67	1.71	46	68	6.6	2000	D-7	180
SWAN	24.71	21.16	6/2.12	1/2.12	6.36	1.356	58	85	8.3	2000	D-8	220
SWANATE	26.51	21.16	7/1.96	1 ρ .61	6.53	1.356	58	100	10.5	2000	D-8	250
SWALLOW	31.1	26.65	6/2.38	1/2.38	7.14	1.076	73	108	10.2	2000	D-8	270
SPARROW	39.22	33.61	6/2.67	1/2.67	8.01	0.853	92	136	12.7	2000	D-8	320
SPARATE	42.13	33.61	7/2.47	1/3.31	8.24	0.853	92	159	16.2	2000	D-9	380
ROBIN	49.49	42.39	6/3.00	1/3.00	9	0.6765	116	172	15.9	2000	D-9	405
RAVEN	62.38	53.48	6/3.37	1/3.37	10.11	0.5364	147	216	19.5	2000	D-10	495
QUAIL	78.65	67.42	6/3.78	1/3.78	11.34	0.4255	185	273	23.5	2000	D-11	650
PIGEON	99.22	85.03	6/4.25	1/4.25	12.75	0.3373	233	344	29.5	2000	D-12	800
PENGUIN	125.1	107.23	6/4.77	1/4.77	14.31	0.2676	294	433	37.2	2000	D-12	975
WAXWING	142.64	135.16	18/3.09	1/3.09	15.45	0.2133	373	431	30.6	2000	D-14	1010
PARTRIDGE	157.16	135.16	26/2.57	7/2.00	16.28	0.2142	375	547	50.2	2000	D-14	1240
OSTRICH	176.77	152	26/2.73	7/2.12	17.28	0.1906	421	614	56.5	2000	D-16	1440
MERLIN	179.93	170.45	18/3.47	1/3.47	17.35	0.1692	470	544	38.7	2000	D-16	1300
LINNET	198.19	170.45	26/2.89	7/2.25	18.31	0.1699	472	689	62.8	2000	D-16	1590
ORIOLE	210.26	170.45	30/2.69	7/2.69	18.83	0.1704	473	784	77.2	2000	D-16	1780
CHICKADEE	212.58	201.42	18/3.77	7/3.77	18.85	0.1432	555	642	44.2	2000	D-16	1490
BRANT	227.55	201.42	24/3.27	7/2.18	19.61	0.1438	558	762	65.1	2000	D-16	1730
IBIS	234.19	201.42	26/3.14	7/2.44	19.88	0.1438	558	814	72.5	2000	D-16	1840
LARK	248.39	201.42	30/2.92	7/2.92	20.44	0.1442	560	927	90.4	2000	D-18	2090
PEUCAN	255.1	241.68	18/4.14	1/4.14	20.7	0.1193	666	771	52.3	2000	D-18	1780
FLICKER	272.97	241.68	24/3.58	7/2.39	21.49	0.1199	670	915	76.3	2000	D-18	2070
HAWK	281.03	241.68	26/3.44	7/2.68	21.8	0.1199	670	977	87	2000	D-18	2190
HEN	298.07	241.68	30/3.20	7/3.20	22.4	0.1202	671	1112	105.9	2000	D-18	2460

Conductors conform to ASTM B 232-82 and CSA C 49-1975



## CONDUCTOR FOR OVERHEAD LINES ALUMINIUM CONDUCTOR STEEL REINFORCED (ACSR)

CODE	Conductor Area		No.&Nominal Diameter of Wires		Approx. Overall Diameter	Calculated D.C Resistance at 20°C (Max.)	Approx. Weight of Conductor		Breaking Load	Standard Packing Length	Drum Size	Approx. Gross Weight
	Total	Aluminium	Aluminium	Steel			Aluminium	Total				
	Sqmm		No./mm		mm	Ohm/Km	Kg/Km		KN	Metre ± 10%		KG
PARAKEET	318.58	282	24/3.87	7/2.58	23.22	0.1028	781	1067	88.2	2000	D-18	2370
DOVE	327.94	282	26/3.72	7/2.89	23.55	0.1028	781	1140	101.1	2000	D-18	2520
EAGLE	347.81	282	30/3.46	7/3.46	24.21	0.103	783	1298	123.6	2000	D-18	2840
PEACOCK	346.32	306.58	24/4.03	7/2.69	24.2	0.09449	850	1160	95.8	2000	D-18	2560
SQU	356.52	306.58	26/3.87	7/3.01	24.51	0.09449	850	1240	106.9	2000	D-18	2720
WOODDUCK	378.13	306.58	30/3.61	7/3.61	25.25	0.09473	851	1411	128.5	2000	D-19	3140
TEAL	376.45	306.58	30/3.61	19/2.16	25.24	0.09475	851	1397	133.4	2000	D-19	3110
ROOK	364.07	322.26	24/4.14	7/2.76	24.84	0.08989	893	1219	101	2000	D-18	2680
GROSBEAK	374.78	322.26	26/3.97	7/3.09	25.15	0.08989	893	1302	111.8	2000	D-19	2920
SCOTTER	397.48	322.26	30/3.70	7/3.7	25.88	0.09011	895	1483	135.4	2000	D-19	3290
EGRET	395.74	322.26	30/3.70	19/2.22	25.9	0.09012	894	1470	140.3	2000	D-19	3260
FLAMINGO	381.55	337.74	24/4.23	7/2.82	25.4	0.08576	936	1278	105.9	2000	D-19	2880
GANNET	392.84	337.81	26/4.07	7/3.16	28.3	0.08576	936	1365	117.7	2000	D-21	3150
CROW	409.55	362.58	54/2.92	7/2.92	26.28	0.07992	1005	1371	115.8	2000	D-19	3060
STILT	409.61	362.64	24/4.39	7/2.92	26.31	0.07989	1005	1372	113.8	2000	D-19	3060
STARUNG	421.61	362.58	26/4.21	7/3.28	26.68	0.07992	1005	1466	126.5	2000	D-19	3250
REDWING	445.22	362.58	30/3.92	19/2.35	27.43	0.08009	1006	1653	154	2000	D-19	3630
TERN	430.71	402.84	45/3.38	7/2.25	27.03	0.07192	1116	1333	98.3	2000	D-19	2990
CONDOR	455.03	402.84	54/3.08	7/3.08	27.72	0.07192	1116	1524	125.6	2000	D-19	3370
AUARD	494.71	402.84	30/4.14	19/2.48	28.96	0.07208	1119	1838	170.7	2000	D-21	4100
CRANE	500.58	443.1	54/3.23	7/3.23	29.07	0.06539	1228	1676	138.3	2000	D-21	3770
RUDDY	487.35	455.81	45/3.59	7/2.40	28.73	0.06356	1263	15	108.9	2000	D-21	3440
CANARY	515.16	456.05	54/3.28	7/3.28	29.52	0.06352	1263	1724	142.2	2000	D-21	3870
RAIL	516.84	483.42	45/3.70	7/2.47	29.61	0.05994	1339	1599	115.8	2000	D-21	3620
CARDINAL	546.07	483.42	54/3.38	7/3.38	30.42	0.05994	1339	1829	150.1	2000	D-22	4130

Conductors conform to ASTM B 232-82 and CSA C 49-1975.





## CONDUCTOR FOR OVERHEAD LINES ALUMINIUM CONDUCTOR STEEL REINFORCED (ASCR)

CODE	Conductor Area		No.&Nominal Diameter of Wires		Approx. Overall Diameter	Calculated D.C Resistance at 20°C(Max.)	Approx. Weight of Conductor		Breaking Load	Standard Packing Length	Drum Size	Approx. Gross Wight
	Total	Aluminium	Aluminium	Steel			Aluminium	Total				
	Sqmm		No./mm		mm	Ohm/Km	Kg/Km		KN	Metre ± 10%		KG
ORTLAN	559.87	523.68	45/3.85	7/2.57	30.81	0.05531	1451	1734	123.6	2000	D-22	3940
CURLEW	591.55	523.68	54/3.52	7/3.52	31.68	0.05531	1451	1981	162.8	2000	D-22	4430
BLUEJAY	602.96	563.93	45/4.00	7/2.66	31.98	0.05161	1570	1875	132.4	2000	D-22	4220
FINCH	635.41	563.93	54/3.65	19/2.19	32.85	0.05161	1570	2130	173.6	1000	D-18	2370
BUNTING	645.81	604.26	45/4.14	7/2.76	33.12	0.0820	1682	2008	142.2	1000	D-18	2250
GRACKLE	680.78	604.26	54/3.77	19/2.27	33.97	0.0482	1682	2282	186.4	1000	D-18	2520
BITTERN	689.03	644.51	45/4.27	7/2.85	34.17	0.04518	1795	2143	152.1	1000	D-19	2460
PHEASANT	726.19	644.51	54/2.34	19/2.34	35.1	0.04518	1795	2433	194.2	1000	D-19	2750
DIPPER	732.26	685.16	45/4.40	7/2.92	35.16	0.04259	1906	2275	160.9	1000	D-19	2600
MARTIN	771.55	684.84	54/4.02	19/2.41	36.17	0.04259	1906	2585	206	1000	D-21	3010
PLOVER	816.97	725.16	54/4.14	19/2.48	37.24	0.04016	2019	2738	217.8	1000	D-21	3160
PARROT	862.32	765.16	54/4.25	19/2.55	38.25	0.03802	2131	2890	230.5	1000	D-21	3310
FALCON	908.12	805.8	54/4.36	19/2.62	39.26	0.03612	2243	3042	243.3	1000	D-21	3460
WREN	9.81	8.39	6/1.33	1/7.33	3.99	3.4226	23	34	3.3	2000	D-6	110
WARBLER	11.93	10.59	6/1.50	1/1.50	4.5	2.7139	29	43	4.2	2000	D-6	130
PHOEBE	160.45	152.00	18/3.28	1/3.28	16.4	0.1893	418	483	35.5	2000	D-14	1120
PIPER	187.48	152.00	30/2.54	7/2.54	17.58	0.1903	420	697	68.7	2000	D-16	1600
HERON	312.45	253.35	30/3.28	7/3.28	22.96	0.1142	701	1162	108.8	2000	D-18	2565
SAPSUCKER	309.68	282.00	22/4.04	7/2.24	22.88	0.1024	777	993	79.1	2000	D-18	2230
DUCK	346.39	306.58	54/2.69	7/2.69	24.21	0.0945	848	1159	100.1	2000	D-18	2560
GOOSE	364.00	322.26	54/2.76	7/2.76	24.84	0.0899	891	1217	105.3	2000	D-18	2670
GULL	381.55	337.74	54/2.82	7/2.82	25.38	0.0856	935	1277	109.2	2000	D-19	2870
DRAKE	468.45	402.84	26/4.44	7/3.45	28.11	0.0715	1112	1624	139.1	2000	D-21	3670
SCISSORTAIL	677.67	644.51	42/4.42	7/2.46	33.90	0.0449	1780	2039	144.4	1000	D-18	2280

Conductors conform to ASTM B232-1982 and CSA C 49-1975.



## CONDUCTORS FOR OVERHEAD LINES ALUMINIUM CONDUCTOR STEEL REINFORCED(ACSR)

Size	Conductor Area		No.&Nominal Diameter of Wires		Approx. Overall Diameter	Calculated D.C Resistance at 20°C(Max.)	Approx. Weight of Conductor		Breaking Load	Standard Packing Length	Drum Size	Approx. Gross Wight
	Total	Aluminium	Aluminium	Steel			Aluminium	Total				
	Sqmm		No./mm		mm	Ohm/Km	Kg/Km		KN	Metre ±10%		KG
16/2.5	17.9	15.3	6/1.80	1/1.80	5.4	1.875	42	62	5.8	2000	D-7	170
25/4	27.8	23.8	6/2.25	1/2.25	6.8	1.206	65	97	9.0	2000	D-8	245
35/6	40.0	34.3	6/2.70	1/2.70	8.1	0.8365	94	140	12.4	2000	D-9	340
44/32	75.7	44.0	14/2.00	7/2.40	11.2	0.657	122	372	44.1	2000	D-11	845
50/8	56.3	48.3	6/3.20	1/3.20	9.6	0.5941	132	196	16.8	2000	D-10	455
50/30	81.0	51.2	12/2.33	7/2.33	11.7	0.5642	141	378	43.0	2000	D-11	855
70/12	81.3	69.9	26/1.85	7/1.44	11.7	0.413	193	284	26.3	2000	D-11	670
95/15	109.7	94.4	26/2.15	7/1.67	13.6	0.3058	260	383	35.0	2000	D-12	880
95/55	152.8	96.5	12/3.20	7/3.20	16.0	0.2992	266	712	77.8	2000	D-14	1570
105/75	181.5	105.7	14/3.10	19/2.25	17.5	0.2735	292	891	106.4	2000	D-16	1990
120/20	141.4	121.6	26/2.44	7/1.90	15.5	0.2734	336	494	44.8	2000	D-14	1140
120/70	193.7	122.0	12/3.60	7/3.60	18.0	0.2367	337	901	98.1	2000	D-16	2010
125/30	157.7	127.9	30/2.33	7/2.33	16.1	0.2259	353	591	56.5	2000	D-14	1330
150/25	173.1	148.9	26/2.70	7/2.10	17.1	0.1939	411	605	54.2	2000	D-16	1420
170/40	211.9	171.8	30/2.70	7/2.70	18.9	0.1682	475	794	75.3	2000	D-16	1800
185/30	213.6	183.8	26/3.00	7/2.33	19.0	0.1571	507	746	64.9	2000	D-16	1700
210/35	243.2	209.1	26/3.20	7/2.49	20.3	0.138	577	850	73.5	2000	D-18	1940
210/50	261.6	212.1	30/3.00	7/3.00	21.0	0.1362	587	981	92.0	2000	D-18	2200
230/30	260.7	230.9	24/3.50	7/2.33	21.0	0.1249	638	877	71.7	2000	D-18	1990
240/40	282.5	243.0	26/3.45	7/2.68	21.9	0.1188	671	987	84.8	2000	D-18	2210
265/35	297.8	263.7	24/3.74	7/2.49	22.4	0.1094	728	1002	81.5	2000	D-18	2240
300/50	353.8	304.3	26/3.86	7/3.00	24.5	0.09486	840	1236	105	2000	D-18	2710
305/40	344.1	304.6	54/2.68	7/2.68	24.1	0.0949	843	1160	97.5	2000	D-18	2560
340/30	369.1	339.3	48/3.00	7/2.33	25.0	0.08508	938	1180	91.1	2000	D-18	2600
380/50	431.5	382.0	54/3.00	7/3.00	27.0	0.07568	1056	1458	120.8	2000	D-19	3240



385/35	420.1	386.0	48/2.20	7/2.49	26.7	0.07494	1067	1344	102.8	2000	D-19	3010
435/55	490.6	434.3	54/3.20	7/3.20	28.8	0.06656	1203	1653	133.9	2000	D-21	3730
450/40	488.2	448.7	48/3.45	7/2.68	28.7	0.06434	1241	1561	118.5	2000	D-21	3540
490/65	533.9	490.3	54/3.40	7/3.40	30.6	0.05896	1356	1866	150.2	2000	D-22	4200
550/70	621.3	550.0	54/3.60	7/3.60	32.4	0.05256	1520	2092	167.4	1000	D-18	2330
560/50	611.2	561.7	48/3.86	7/3.00	32.2	0.0514	1553	1954	146.1	1000	D-18	2190
680/85	764.6	678.8	54/4.00	19/2.40	36.0	0.04259	1868	2570	206.4	1000	D-19	2890

Conductors conform to DIN 48204



## MODULUS OF ELASTICITY AND COEFFICIENT OF LINEAR EXPANSION TABLE

Number of Wires in Conductor		Final Modulus of elasticity N/mm <sup>2</sup>	Coefficient of Linear Expansion Per °C
HDBC		110800	17.0x10 <sup>-6</sup>
7		102900	17.0x10 <sup>-6</sup>
19		102900	17.0x10 <sup>-6</sup>
37		61700	23.0x10 <sup>-6</sup>
AAC		59000	23.0x10 <sup>-6</sup>
3		56000	23.0x10 <sup>-6</sup>
7		56000	23.0x10 <sup>-6</sup>
19			
37			
ACSR			
Aluminium	Steel		
6	1	79000	19.1x10 <sup>-6</sup>
6	7	75000	19.8x10 <sup>-6</sup>
7	7	74500	18.6x10 <sup>-6</sup>
12	7	105000	15.3x10 <sup>-6</sup>
14	19	99000	15.4x10 <sup>-6</sup>
18	1	66000	21.2x10 <sup>-6</sup>
24	7	72500	20.0x10 <sup>-6</sup>
26	7	75500	19.2x10 <sup>-6</sup>
30	7	80000	17.8x10 <sup>-6</sup>
42	7	60800	21.3x10 <sup>-6</sup>
45	7	62700	20.8x10 <sup>-6</sup>
48	7	64700	20.2x10 <sup>-6</sup>
54	7	69000	19.3x10 <sup>-6</sup>
54	19	62700	19.3x10 <sup>-6</sup>



## CONDUCTORS FOR OVERHEAD LINES ALL ALUMINIUM ALLOY CONDUCTORS (AAAC)

CODE	Nominal Area of Conductor	No. and Nominal Diameter of Wires	Approx Overall Diameter	Calculated Resistance at 20°C (Max.)	Approx. Weight of Conductor	Breaking Load	Standard Packing Length	Drum Size	Approx. Gross Wight
	Sqmm	No./mm	mm	Ohm/Km	Kg/Km	KN	Metre ± 10%		KG
BOX	18.8	7/1.85	5.55	1.748	51.4	5.55	2000	D-6	148
ACACIA	23.8	7/2.08	6.24	1.3828	64.9	7.02	2000	D-7	175
ALMOND	30.1	7/2.34	7.02	1.0926	82.2	8.88	2000	D-8	214
CEDAR	35.5	7/2.54	7.62	0.9273	96.8	10.46	2000	D-8	244
DEODAR	42.2	7/2.77	8.31	0.7797	151.2	12.44	2000	D-9	290
FIR	47.8	7/2.95	8.85	0.6875	130.6	14.11	2000	D-9	321
HAZEL	59.9	7/3.30	9.90	0.5494	163.4	17.66	2000	D-9	387
PINE	71.6	7/3.61	10.80	0.4591	195.6	21.14	2000	D-10	979
HOLLY	84.1	7/3.91	11.70	0.3913	229.5	24.79	2000	D-11	559
WILLOW	89.7	7/4.04	12.10	0.3665	245.0	26.47	2000	D-11	590
OAK	118.9	7/4.65	14.00	0.2767	324.5	35.07	2000	D-12	759
MULBERRY	150.9	19/3.18	15.90	0.2192	414.3	44.52	2000	D-14	979
ASH	180.7	19/3.48	17.40	0.183	496.1	53.31	2000	D-14	1142
ELM	211.0	19/3.76	18.80	0.1568	579.2	62.24	2000	D-16	1368
POPLAR	239.4	37/2.87	20.10	0.1387	659.4	70.61	2000	D-18	1559
SYCAMORE	303.2	37/3.23	22.60	0.1095	835.2	89.4	2000	D-18	2235
UPAS	362.1	37/3.53	24.70	0.0917	997.5	106.82	2000	D-18	2235
YEW	479.0	37/4.06	28.40	0.0693	1319.6	141.31	2000	D-21	3059
TOTARA	798.1	37/4.14	29.00	0.0666	1372.1	146.93	2000	D-22	3164
RUBUS	586.9	61/3.50	31.50	0.0567	1622.0	173.13	2000	D-22	3714
SORBUS	659.4	61/3.71	33.40	0.0505	1822.5	194.53	2000	D-23	4145
ARAUCARIA	821.1	61/4.14	37.30	0.0406	2269.4	242.24	2000	D-23	5093
REDWOOD	996.2	61/4.56	41.00	0.03345	2753.2	293.88	2000	D-23	6006

AAAC- Conform to BS EN 50182-2001



## CONDUCTORS FOR OVERHEAD LINES ALL ALUMINIUM ALLOY CONCUTORS (AAAC)

CODE	Nominal Area of Conductor	No.and Nominal Diameter of Wires	Approx Overall Diameter	Calculated Resistance at 20°C (Max.)	Approx. Weight of Conductor	Breaking Load	Standard Packing Length	Drum Size	Approx.Gross Wight
	Sqmm	No./mm	mm	Ohm/Km	Kg/Km	KN	Metre ± 10%		KG
16	18.4	7/1.83	5.49	1.7896	50.4	5.43	2000	D-6	146
25	28.8	7/2.29	6.86	1.1453	78.7	8.49	2000	D-7	202
40	46	7/2.89	8.68	0.7158	125.9	13.58	2000	D-9	312
63	72.5	7/3.63	10.9	0.4545	198.3	21.39	2000	D-10	457
100	115	19/2.78	13.9	0.2877	316.3	33.95	2000	D-12	743
125	144	19/3.10	15.5	0.2302	395.4	42.44	2000	D-14	941
160	184	19/3.51	17.6	0.1798	506.1	54.32	2000	D-14	1162
200	230	19/3.93	19.6	0.1439	632.7	67.91	2000	D-16	1475
250	288	19/4.39	22	0.1151	790.8	84.88	2000	D-18	1822
315	363	37/3.53	24.7	0.0916	998.9	106.95	2000	D-18	2238
400	460	37/3.98	27.9	0.0721	1268.4	135.81	2000	D-21	2957
450	518	37/4.22	29.6	0.0641	1426.9	152.79	2000	D-21	3274
500	575	37/4.45	31.2	0.0577	1585.5	169.76	2000	D-22	3641
560	645	61/3.67	33	0.0516	1778.4	190.14	2000	D-23	4057
630	725	61/3.89	35	0.0458	2000.7	213.9	2000	D-23	4501
710	817	61/4.13	37.2	0.0407	2254.8	241.07	2000	D-23	5010
800	921	61/4.38	39.5	0.0361	2540.6	271.62	2000	D-23	5581
900	1036	91/3.81	41.8	0.0321	2861.1	305.58	2000	D-23	6222
1000	1151	91/4.01	44.1	0.0289	3179	339.53	2000	D-24	6958
1120	1289	91/4.25	46.7	0.0258	3560.5	380.27	1000	D-23	7621
1250	1439	91/4.49	49.4	0.0231	3973.7	424.41	1000	D-23	8447

AAAC – Conform to IEC 1089-91



## CONDUCTORS FOR EARTHING PURPOSES SOFT DRAWN BARE COPPER CONDUCTORS (SDBC)



Nominal Area of Conductor	Minimum Number of Wires in the Conductor	Approx Conductor Diameter	Conductor Resistance at 20°C (Max.)	Approx. Weight of Conductor	Standard Packing Length	Drum Size	Approx. Gross Wight
Sqmm	No.	mm	Ohm/Km	Kg/Km	Metre ± 10%		KG
4*	7	2.52	4.61	34.0	2000	D-6	115
6*	7	3.08	3.08	51.0	2000	D-6	145
10	7	3.8	1.83	87.0	2000	D-6	220
16	6	4.9	1.15	136	2000	D-6	315
25	6	6.0	0.727	215	2000	D-7	475
35	6	7.1	0.524	301	1000	D-7	345
50	6	8.2	0.387	410	1000	D-7	455
70	12	9.8	0.268	594	1000	D-8	645
95	15	11.7	0.193	820	1000	D-11	920
120	18	13.2	0.153	1040	1000	D-12	1150
150	18	14.6	0.124	1300	1000	D-12	1410
185	30	16.2	0.0991	1615	1000	D-14	1770
240	34	18.7	0.0754	2100	1000	D-16	2310
300	34	20.7	0.0601	2650	1000	D-18	2890
400	53	23.6	0.047	3440	1000	D-18	3680

\*Conductors circular stranded(Class 2)

All other conductors circular stranded compacted (Class 2)

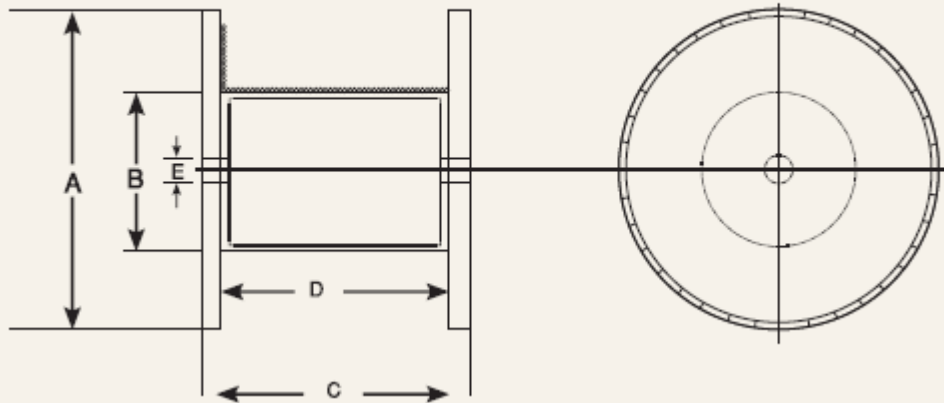
Conductors conform to BS 6360/BS EN 60228 and IEC 60228.

Non-compacted untinned or tinned conductors available on Request.



## DRUM SIZES AND DIMENSIONS

- A- Flange diameter (Excluding Lagging),mm
- B- Barrel width,mm
- C- Overall width,mm
- D- Traves width,mm
- E- Minimum spindle hole diameter,mm



Dimensions,

Drum size D-No	A	B	C	D	E
D-6	600	250	470	400	110
D-7	700	325	570	500	110
D-8	800	375	570	500	110
D-9	900	425	620	550	110
D-10	1000	500	690	600	110
D-11	1100	575	740	650	110
D-12	1200	675	950	850	110
D-14	1400	800	950	850	110
D-16	1600	950	970	850	110
D-18	1800	1100	1220	1100	110
D-19	1900	1100	1230	1100	110
D-20	2000	1300	1235	1100	110
D-21	2100	1150	1290	1100	110
D-22	2200	1400	1390	1250	110
D-23	2340	1200	1795	1625	110
D-24	2400	1200	1795	1625	110
D-25-S	2540	1200	1825	1625	110
D-25	2540	1400	1800	1625	110
D-26	2600	1400	1970	1800	110





**Welcome enquiry to**  
**Henan Province Xinchang Copper Co., Ltd.**



[www.cncuxc.com](http://www.cncuxc.com)

Add: INDUSTRIAL PARK, GONGYI, HENAN, P. R. CHINA / Code: 450042

Tel.: 0086-371- 5508-3768 / Fax: 0086-371- 5508-3768

\* HNXC--- **TRANS MORE** \*